

CWL-E SERIES LIGHT FIXTURE

MARINE APPLICATION



NOTES & PATENT INFORMATION

US Patent #7,307,391 8,115,411 8,791,650 9,179,513
 Canada Patent #2,651,224 2,555,065 2,831,641
 International Patents Pending
 For complete and up to date patent information see our website

COMPLIANCE TESTING

- MIL-DTL-16377J
- MIL-STD-461 (CE101, CE102, RE101, RE102)
- MIL-STD-1399-300B
- UL486C (Compliance)
- MIL-DTL-16377/86A (Compliance)
- LM79
- LM84
- TM-24

DESCRIPTION

The CWL-E series light can be a bulkhead (wall) or overhead (ceiling) mounted light to be used aboard ship. The light is fully enclosed and can be mounted in virtually any direction.

Adjustable shock mount feet also allow for the fixture to be installed to ceiling or walls. can be daisy-chain connection, up to 12 pieces, in one run.

Available with optional dual color feature for covert mode.

IP66 splash proof and temporarily submersible fixture allows for installation in damp environments.

The LEDs allow the product a wide range of operating temperatures in harsh environments without affecting the light levels. LEDs maintain their light output at a near constant level when pushed to extreme temperatures.

The ultra light body is an average of 50% lighter than traditional fluorescent fixtures.

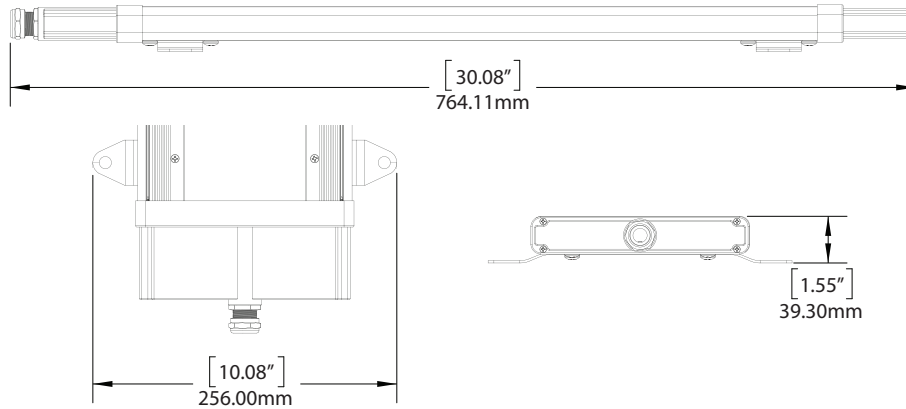
FEATURES

- Solid state lighting device works well in all types of environments
- Instant on, no warm up time required
- Lasts 5 times longer than fluorescent
- No mercury, No lead
- No IR, No UV
- Lumen maintenance: L80 (70%@60,000 Hours)

OPTIONAL FEATURES

- Other colors upon request, red, blue, green, amber
- Operational voltages for special applications
- Optional: Upgrade to IEC 60601-1-2

DIMENSIONS



ELECTRICAL STATS

Type	Nominal length	Lens type	Luminous intensity (Lumens)			Power consumption (WATTS)
			4100K	RED	BLUE	TYP
CWL-E	24"	Milk white	-	382	209	2
			1026	-	-	10
			2200	-	-	20
			3400	-	-	30
	48"	Milk white	2200	-	-	20
			4400	-	-	40
			6840	-	-	60

ORDERING INFORMATION

SERIES	REVISION	LENGTH	VOLTAGE	LED TYPE	WATTAGE	COLOR	OPTIONAL DUAL COLOR	LENS TYPE	INTENSITY
CWL	E	XX	120	0-G	XX	X	X	X	X
		24 = 24" 48 = 48"	120		24" 10W 20W 30W 48" 20W 40W 60W	41 = Neutral White (4100K)	N = No Second Color ● R = Red* ● B = Blue* ● G = Green*	M = Milk White	S = Single Color D = Dual Color

Example:

CWL-E-48-120-0-7-40-50-M-S - CWL E Type, 48", 1115VAC, 40W, Cool White, Milk White Lens, Single Intensity Lens

*Special Order, contact factory for further details.

LED Smart Inc. works continually to improve our products, we reserve the right to change or modify the designs or specifications of this product at any time without prior notice. All rights reserved. This product is under a patent and patent pending protection.