

FLZ-48" INSTALLATION GUIDE

The following is a visual aide of fixture M116377/13 0r /13B retrofit from flourescent to LED lamps according to MIL-STD-16377/86A instruction guidlines.

Wiring Diagram

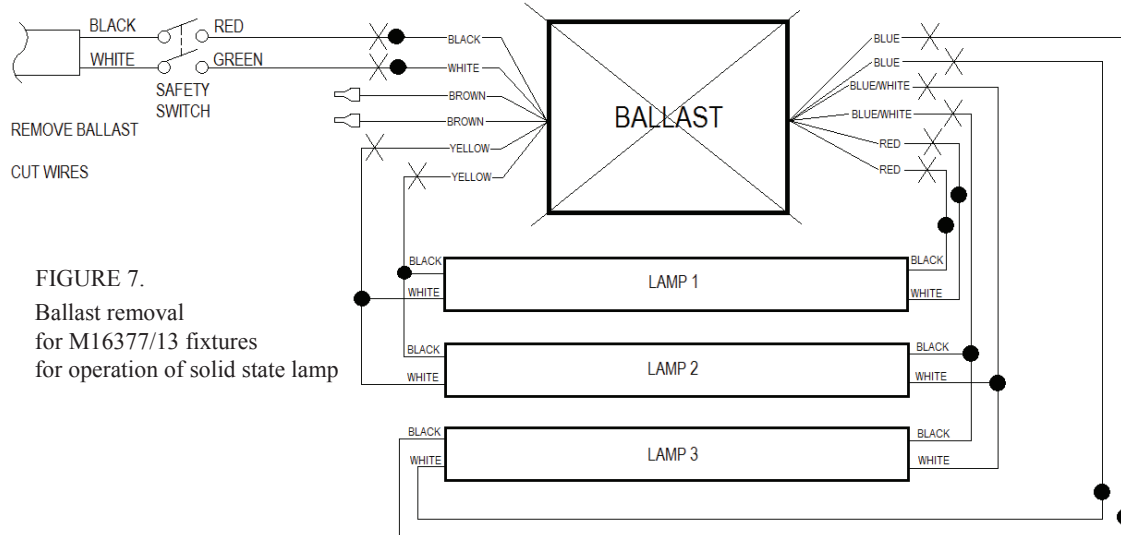


FIGURE 7.
Ballast removal
for M16377/13 fixtures
for operation of solid state lamp



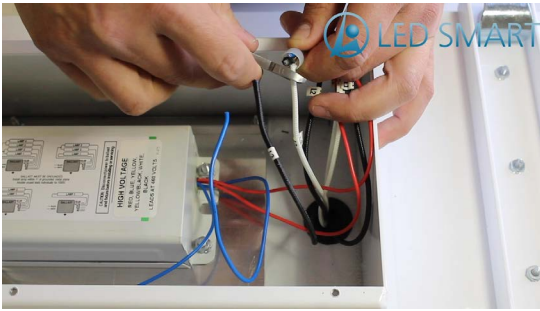
1. Turn off/disconnect power before opening fixture.



2. Remove flourescent lamps. Be careful not to break the lamps.



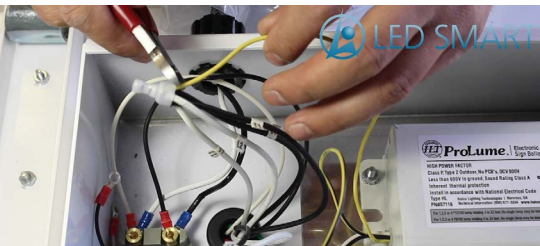
3. Remove ballast enclosure cover. Do NOT discard screws



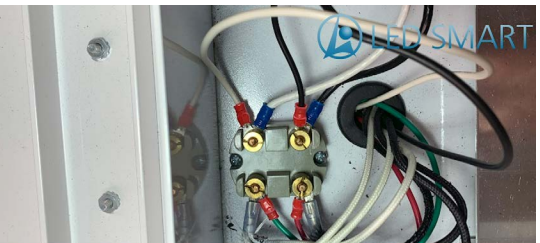
4. Cut all wires on this side of the ballast. Terminate wires according to code, use wire nuts. Do NOT connect to each other.



5. What wires should look like after, use proper wire end caps.



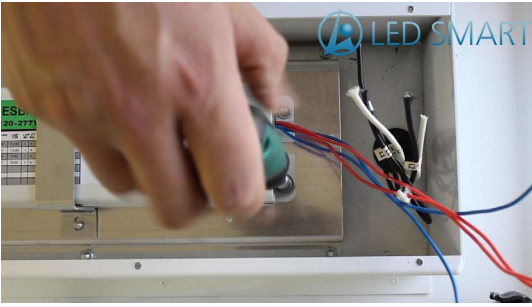
6. Cut ballast wires before disconnecting black/white terminals.



7. Connect all black wires to black terminal and all white wires to the white terminal, This is what it wires should look like AFTER.



8. Remove bracket holding the ballast dispose or recycle along with code requirements.



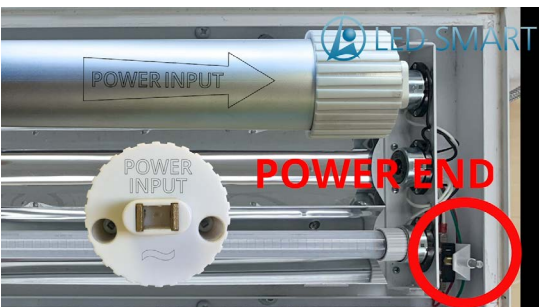
9. Remove nuts holding down the ballast.



10. Remove ballast from ballast housing.



11. Close ballast enclosure plate with original screws



12. Before installing tubes make sure you are putting the power input end which is marked on the end cap and bottom of the tube into the power end of the fixture.



13. Install new LED SMART tubes.



14. Close the cover.

Completed wiring diagram

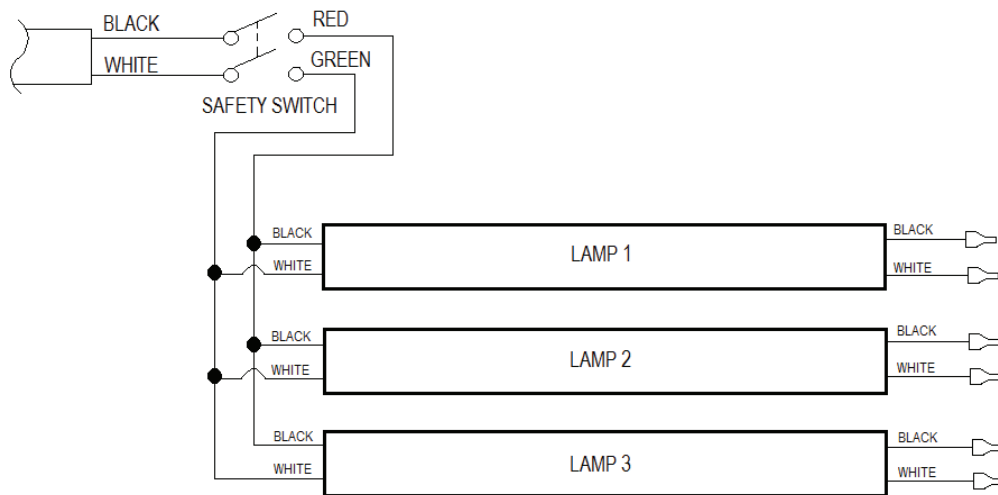


FIGURE 7. Ballast removal for M16377/13 fixtures for operation of solid state lamp – Continued.