

## CWL-D SERIES LIGHT FIXTURE



### NOTES & PATENT INFORMATION

US Patent #7,307,391 8,115,411 8,791,650 9,179,513  
Canada Patent #2,651,224 2,555,065 2,831,641  
International Patents Pending  
For complete and up to date patent information see our website



The connection via terminal block allows the user complete flexibility during installation. This easy installation method allows the user to customize the wiring configuration for each application using any type of plug or connection desired. Ordered with on-board switch control, allows for individual control of the light.

### DESCRIPTION

The CWL-D series light is a wall or ceiling mounted light to be used where space is extremely tight. The light is fully enclosed and can be mounted in virtually any direction.

Mounting holes also allow for the fixture to be installed to ceiling or walls. can be daisy-chain connection, up to 12 pieces, in one run.

Available with optional dual color feature for covert mode.

Ip65 splash proof fixture allows for installation in damp environments.

The LEDs allow the product a wide range of operating temperatures in harsh environments without affecting the light levels. LEDs maintain their light output at a near constant level when pushed to extreme temperatures.

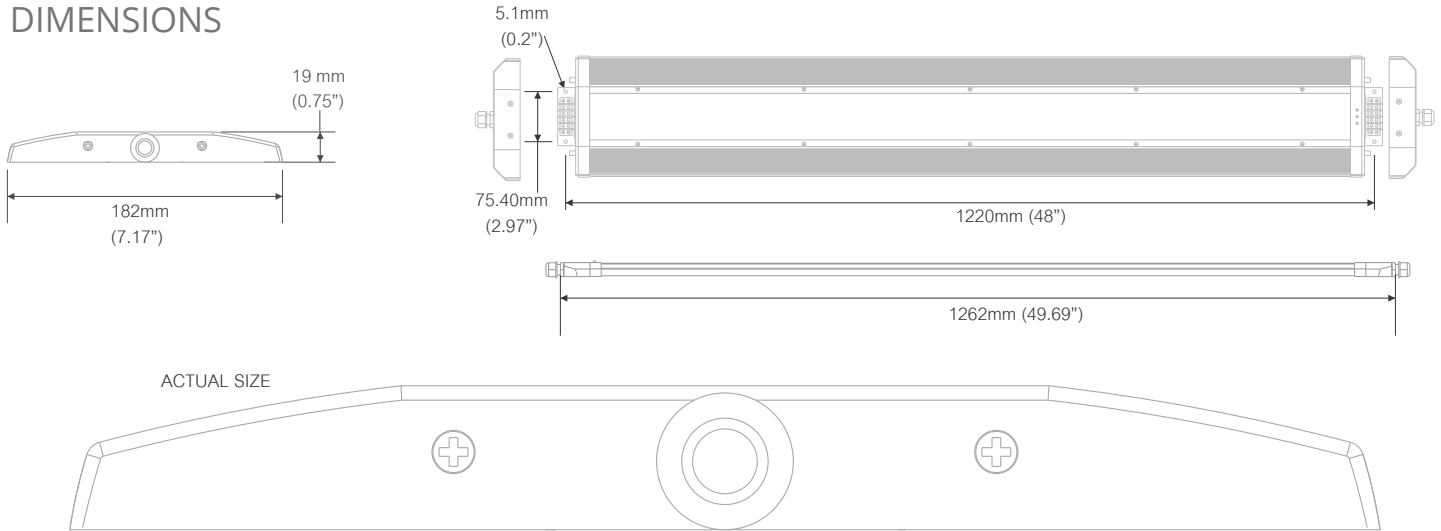
### FEATURES

- Solid state lighting device works well in all types of environments
- Instant on, no warm up time required
- Lasts 5 times longer than fluorescent
- No mercury, No lead
- No IR, No UV
- Lumen maintenance: L80 (70%@60,000 Hours)
- EMC: Compliance to FCC part 18 Class B

### OPTIONAL FEATURES

- Colors: Super White (6000K), Warm White (2800K), Neutral White (3500K), Mid White (4100K)
- Other colors upon request, red, blue, green, amber
- Operational voltages for special applications
- Optional: Upgrade to IEC 60601-1-2
- On-Board Switch Control - order with the on-board switch control feature for control of each light individually

## DIMENSIONS



## ELECTRICAL STATS & OPERATING FUNCTIONS

Type	Input Voltage (Volts)			Input Current (Amps)			Nominal Length	LENS TYPE	Luminous Intensity (Lumens)				Power Consumption
	MIN	TYP	MAX	MIN	TYP	MAX			5000K	4100K	3500K	2800K	TYP
CWL-D	90	120	140	0.04	0.04	0.06	12"	MILK WHITE	361	361	332	293	5
				0.07	0.08	0.11			723	723	665	585	10
				0.11	0.13	0.17			1084	1084	997	878	15
	90	120	140	0.07	0.08	0.11	24"	MILK WHITE	723	723	665	585	10
				0.14	0.17	0.22			1445	1445	1329	1170	20
				0.21	0.25	0.33			2168	2168	1994	1756	30
	90	120	140	0.11	0.13	0.17	36"	MILK WHITE	1084	1084	997	878	15
				0.21	0.25	0.33			2168	2168	1994	1756	30
				0.32	0.38	0.50			3251	3251	2991	2634	45
	90	120	140	0.14	0.17	0.22	48"	MILK WHITE	1445	1445	1329	1170	20
				0.29	0.33	0.44			2890	2890	2659	2341	40
				0.43	0.50	0.67			4335	4335	3988	3511	60

Operating Temperature: Typical 25°C (77°F) Range -40°C (-40°F) to 50°C (122°F)

Storage Temperature: -40°C (-40°F) ~

## ORDERING INFORMATION

**SERIES** CWL - **REVISION** Dx - **LENGTH** XX - **VOLTAGE** 120 - **LED TYPE** 0-7 - **WATTAGE** XX - **COLOR** X - **OPTIONAL DUAL COLOR** X - **LENS TYPE** X - **INTENSITY** X

D = without switches    12 = 12"  
 DS = With Switches    24 = 24"  
                                   36 = 36"  
                                   48 = 48"

● 35 = Warm White (3500K)    ● R = Red\*  
 ● 41 = Neutral White (4100K)    ● B = Blue\*  
 ● 50 = Cool White (5000K)    ● G = Green\*

N = No Second Color    M = Milk White    S = Single Color  
 D = Dual Color

Example:

CWL-D-48-120-0-7-40-50-M-S - CWL D Type, 48", 120VAC, 40W, Cool White, Milk White Lens, Single Intensity Lens

\*Special Order, contact factory for further details.

LED Smart Inc. works continually to improve our products, we reserve the right to change or modify the designs or specifications of this product at any time without prior notice. All rights reserved. This product is under a patent and patent pending protection.